

DELIVERING AFFORDABLE, RUGGED PERFORMANCE



DOOR DESIGN



QUALITY MAINTENANCE FREE CONSTRUCTION

THE TF-138 AND TR-138 continue our tradition of rugged yet stylish insulated garage doors. Our 1-3/8" thermal doors offer affordability while maintaining strong insulating performance. R-6.7 Polystyrene insulation is bonded between 26-gauge substrate to provide strength and thermal protection while maintaining a solid, quiet operation. Stylish wood grain on both raised and flush panels will accent any home design. Every door is accompanied with our lifetime limited warranty against rust, ten-year warranty against delamination and one-year warranty against defects.

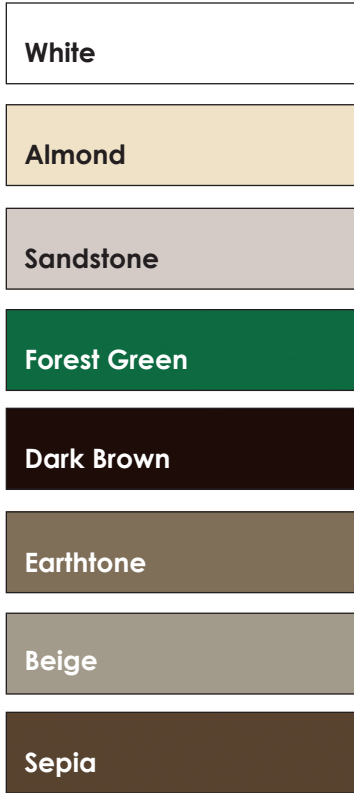
RAISED & FLUSH DETAIL



OPTIONAL ITEMS

- Windows are available in single or thermal pane. For a customized look choose from a variety of window inserts.
- Special Headroom Track for limited space situations
- "Kwik Wind" system, and exterior keyed lock system are also available.
- Fade-resistant Kynar colors available in white, beige, forest green, and sepia.

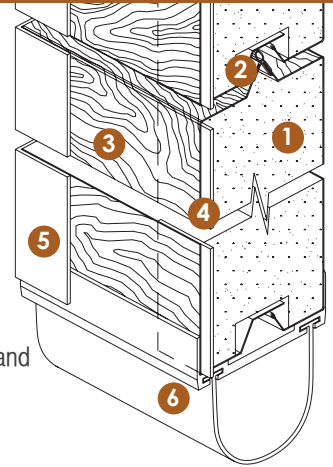
AVAILABLE COLORS



FOREST BAY COLLECTION | TR-138-RAISED I N F O R M A T I O N | TF-138-FLUSH

WOOD GRAIN RAISED PANEL STEEL DOORS

- 1 Effective Polystyrene insulation (R-6.7) is bonded to each steel skin, providing strong thermal protection to the very edge of each section.
- 2 Tough PVC seal provides a continuous thermal break on all sections that reduces thermal transmission. Uniquely designed tongue and groove section joints create a weather-resistant seal against rain, snow and wind.
- 3 Strong embossed hot-dipped galvanized steel. The pre-finished exterior and interior are then coated with a baked-on polyester primer and acrylic finish.
- 4 18-gauge hot-dipped galvanized recessed and concealed hardware back-up plates are carried the full height of the section, providing superior strength and durability than commonly-used hinge pads.
- 5 End stiles are 18-gauge, hot-dipped galvanized steel.
- 6 Our tough "U"-shaped bottom weather-seal helps protect against the elements.



TRACK REQUIREMENTS

Add 2" for electric operator	HEADROOM		SIDE ROOM
	EXTENSION	TORSION	
STANDARD LIFT 12" Radius	10"	11"	4 1/2"
STANDARD LIFT 15" Radius	12"	13"	4 1/2"
LOW HEADROOM	4"	4"	6"

LIFETIME LIMITED RUST WARRANTY

North Central Door Company, LLC warrants to the original consumer purchaser all door sections of its steel garage doors against rust-through due to the paint finish cracking, checking or peeling (losing adhesion) for lifetime to the original owner of the building, when installed in accordance with the instructions from the manufacturer. Claims concerning warranty must be made to the North Central Door dealer from who purchased within the warranty period. This warranty is exclusive and in lieu of all other warranties, either expressed or implied. In no event shall seller be liable for special or consequential damages. However, some states do not allow the exclusion of incidental or consequential damages. If you live in a state that does not allow said exclusions, the above limitation may not apply to you.

1 YEAR LIMITED DEFECT WARRANTY

North Central Door Company, LLC warrants to the original consumer purchaser all door sections of its steel garage doors against defects in workmanship or materials for a period of one (1) year. Should any defects occur, North Central Door Company shall, upon notification, correct any deficiency at their option, by repairing or replacing any defective section or sections. This warranty does not include normal wear, damage beyond the manufacturer's control, or replacement labor.

WINDOW OPTIONS



SUNBURST



COLONIAL



CATHEDRAL



SHERWOOD



CASCADE



PLAIN



SAVANNA

